

CHANNELS AND DUCTS

Concrete Channels used for Cable Ducting, Pipe Protection or Water Channels

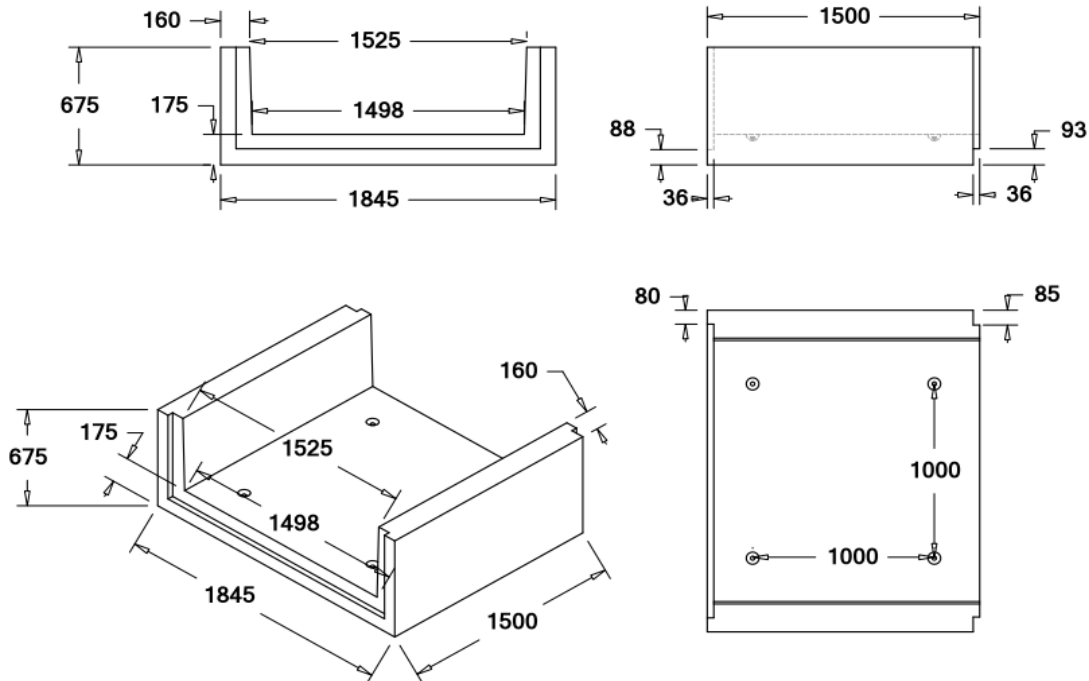
Product Code	Width		Height		Length	Weight
	External	Internal	External	Internal		
MGCC150050150H	1845	1498 -1525	675	500	1500	1850

Product Code	Width	Height	Length	Weight
MGCCCL1500200150HD	1845	200	1500	1430

Heavy Duty HD60 design loading

Installation procedures may differ based on site conditions and specific needs. Nonetheless, it is crucial to establish a thoroughly compacted, level base to mitigate any variance in settling.

When necessary, consider applying mass concrete to either the base or sides of the channel to reduce the potential damage from traffic loads.



Designer Logan	Date 04/10/2023
REFERENCE/ QUOTE NUMBER	
DRAWING NUMBER Concrete Channel	REVISION NUMBER 0